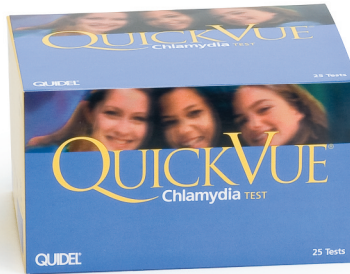


QUICKVUE[®]

Chlamydia TEST

Test and Treat Today![™]

Chlamydia is now recognized as being at epidemic levels and is the most common sexually transmitted disease (STD) in the U.S. Approximately three-fourths of women with a chlamydia infection are asymptomatic and may inadvertently transmit the infection without proper diagnosis and treatment (http://www.cdc.gov/std/Chlamydia/STDFact_Chlamydia.htm).



The QuickVue Chlamydia test provides you and your patients with fast and accurate results, all in one office visit and offers high sensitivity and specificity in all patient populations. The test is easy to perform and interpret from an endocervical swab or cytology brush specimen. Its simple extraction procedure requires the addition of only two reagents. All in fewer steps than most rapid antigen tests.

Rapid Diagnosis and Treatment

- Results in 12 minutes, or less.
- Patients can be tested and treated in the same office visit.

Easy to Use

- Self-contained Test Cassette.
- Simple extraction procedure with just two reagents.
- After extraction, just add the sample to the Test Cassette.
- Two-color endpoint for easy to read and interpret results.

Excellent Performance

- Sensitivity 92%; specificity 99% (overall).
- Highly accurate in asymptomatic patient population: 94% sensitivity, 99% specificity.

Convenient

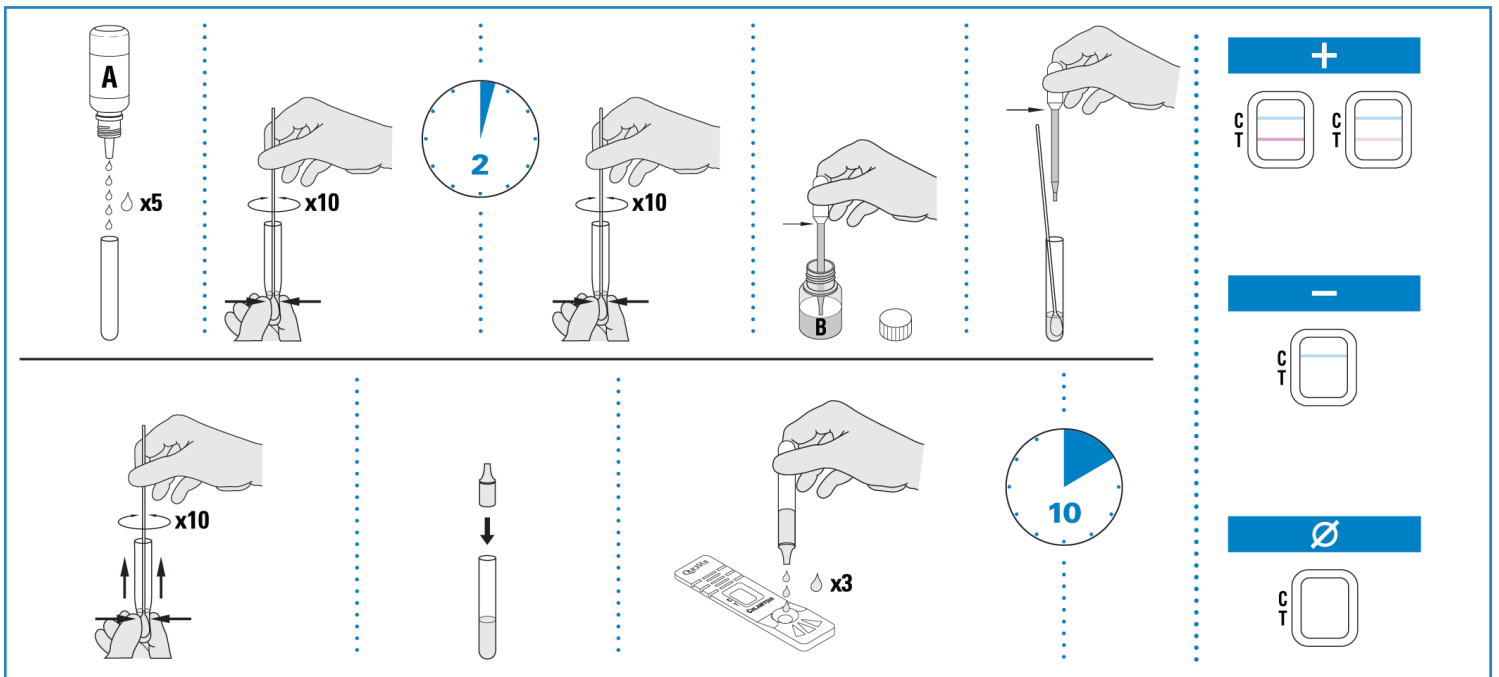
- All components necessary to perform test are contained in the kit, including swabs.
- Room temperature storage (9 months from date of manufacture).
- Built-in Positive and Negative controls confirm the test has performed properly.
- Positive and Negative external controls provided in the kit.



For more information on QuickVue Chlamydia test kits, visit our website or call your Quidel Account Manager at 1.800.874.1517 (U.S. only), or 858.552.1100 (outside U.S.).

Quidel Corporation • Worldwide Headquarters • 10165 McKellar Court • San Diego, CA 92121 USA • quidel.com

Procedure:



To order: Call your Quidel Account Manager or your local distributor.

QuickVue Chlamydia – 25 Test Kit:
Catalog #0B006

Chlamydia Swab Pack:
Catalog #1045201

QUIDEL®

For more information on QuickVue Chlamydia test kits, visit our website or call your Quidel Account Manager at 1.800.874.1517 (U.S. only), or 858.552.1100 (outside U.S.).

Quidel Corporation • Worldwide Headquarters • 10165 McKellar Court • San Diego, CA 92121 USA • quidel.com

Distributor Information: